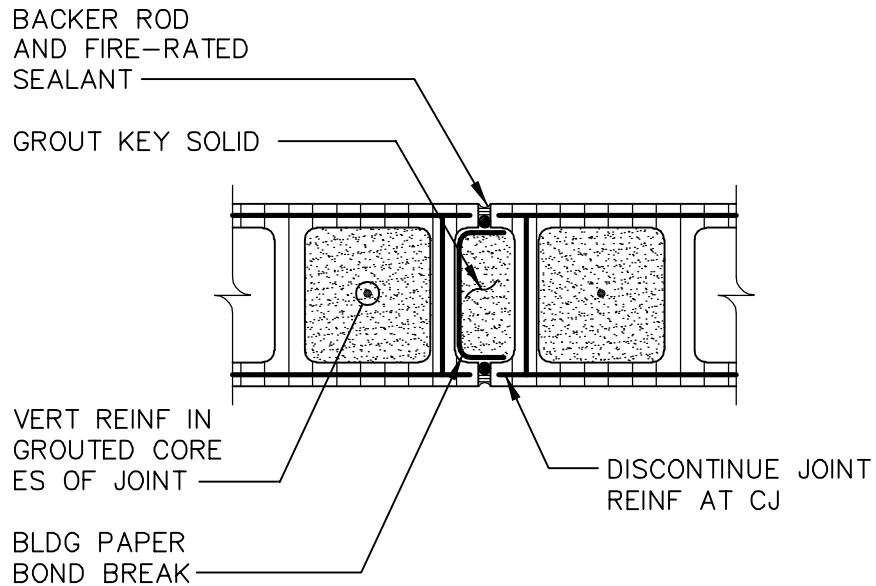


**UNRATED WALLS**



**FIRE RATED WALLS**

**WALL CONTROL JOINTS**

NOT TO SCALE



**RYAN-BIGGS ASSOCIATES, P.C.**

291 River Street p 518 272.6266  
 Troy, NY 12180 f 518 272.4467  
 www.ryanbiggs.com

SUBJECT: WALL CONTROL JOINTS PAGE: 10

JOB NO.: 9252 DATE: 8/22/08  
 PROJECT: LOAD BEARING MASONRY BY: DTB